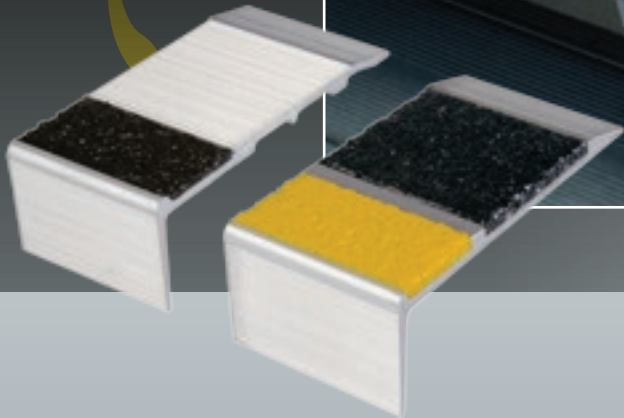


FLEXCO®

flexterior™

M E T A L T R E A D



FLEXCO®

innovative design. flooring performance.

flexterior™

M E T A L T R E A D S



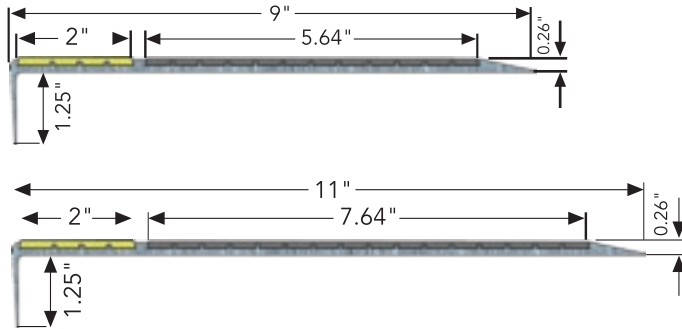
- 1 Extruded heat-treated aluminum is resistant to corrosion**
- 2 Anti-slip epoxy coating with mineral abrasive grits**
- 3 Exceeds ADA recommendations for slip resistance**
- 4 UV-stable, custom color matching available**
- 5 Pre-drilled with countersunk holes for flush finish**



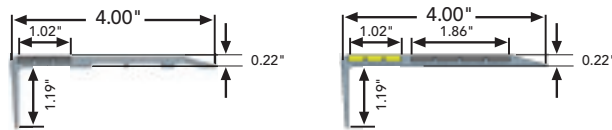
Metal Tread Adhesive Options

Specify type of installation for correct screws.
Premium-grade, exterior polyurethane
construction adhesive required.

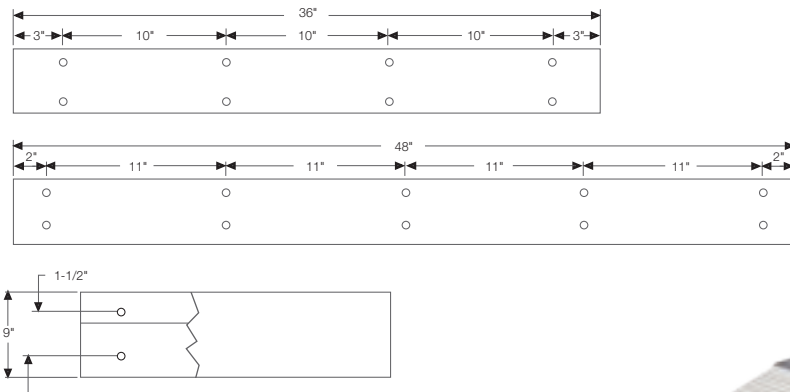
9" and 11" tread dimensions



4" tread dimensions



screw hole spacing/locations



flexterior™ treads C O L O R S



Ash

Cactus



Coal*

Sunshine*



Tomato

Walnut

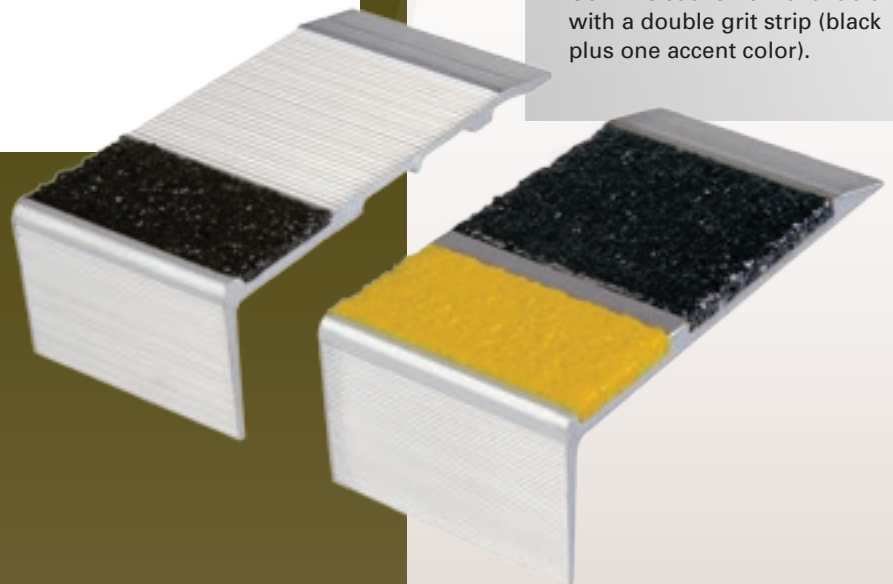


Sapphire

Coal/Coal and Coal/Sunshine color combinations in stock. All other combinations are special order. Color selections must be made from actual samples.

New 4" Double Strip

Our 4" tread is now available with a double grit strip (black plus one accent color).



Outdoors in rugged conditions, indoors in industrial or commercial applications, FlexTerior™ treads provide a slip resistant surface that's made to last. Made of exterior-grade aluminum and inlaid with an epoxy and abrasive grit blend, FlexTerior™ treads are ideal for installation on new or existing stairs and landings.

FlexTerior[™] Treads order prefix: **FLEX**

GAUGE	1/4" overall
DEPTH	4", 9", plus 11"
LENGTHS	36", 48" Over 48" Special Order
NOSE	Square
PIECES /CTN	6 Special Order TBD
WEIGHT /LIN FT (LB)	2.2 for 9" or 2.76 for 11"
SCREW PACKAGING	36" - 9 per set 48" - 13 per set

Note: Must indicate concrete or wood installation for proper mechanical fasteners. A premium-grade, exterior polyurethane adhesive approved by the adhesive manufacturer for bonding aluminum directly to concrete, exterior-grade plywood or metal is required.

Leave room for contraction and expansion of treads when taking measurements for depth and length.